



Product Selection Guide

EK U6 - T2 - 40S 1 - 1PN - 275 S

EK	ETEK
U6	SPD series No.6
T2	Class II / Type 2
40S	Imax: 40kA, Small size
1	design 1: (Orange); design 2: (Grey)
1PN	No. of Poles: 1PN:1+NPE; 2P:2P
275	Uc: 275V
S	With Remote Signaling

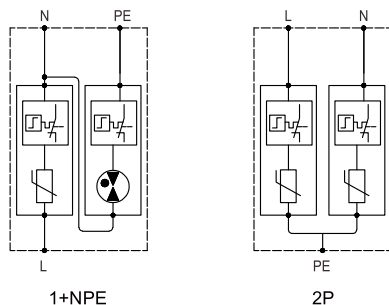
SPD Type Reference List

No. of Poles	Max. Continuous Operating AC Voltage	
	275V	
1P+NPE	EKU6-T2-40S-1PN275	
2P	EKU6-T2-40S-2P275	
With Remote Signaling		
1P+NPE	EKU6-T2-40S-1PN275S	
2P	EKU6-T2-40S-2P275S	

Technical Data

No. of poles		2P	1P+NPE
Network systems		TN-S	TT, TN-S
Mode of protection		L-PE, N-PE	L-N, N-PE
Protective elements		High Energy MOV	High Energy MOV and GDT
Maximum continuous operating voltage (L-N)	Uc		275V
Maximum continuous operating voltage (N-PE)	Uc		255V
Norminal discharge current (8/20μs) (L-N)/(N-PE)	In		20kA
Maximum discharge current (8/20μs) (L-N)/(N-PE)	I _{max}		40kA
Voltage protection level (L-N)/(N-PE)	Up		1.5kV/1.5kV
Voltage protection level 5kA	Up		1.0kV
Response time (L-N)/(N-PE)	t _A		≤25ns/≤100ns
Operating temperature range	Tu		-40°C to +80°C
Max. Back-up fuse			125 A gL/gG
Fault indication			Red
Cross-section area (Min.)/(Max.)			4mm ² /10mm ² (L/N),16mm ² (PE)
Mounting			35 mm DIN Rail, EN 60715
Enclosure material			Thermal Plastic UL94-V0
Degree of protection			IP20 (built-in)

Schematic Diagram



Overall and Installation Dimension(mm)

